



TX60-600 2200 IC 230 850 M25 GL

The innovative LED zone1 lighting fixtures are applicable for a wide range of different areas, They are designed to meet maritime requirements and to save energy and maintenance cost due to the long lifetime

Item Number	TX60095000
GTIN	4036538579769
Stock status	A



Technical specifications

Navigation

Mains current	0,103
EMC Category	EMC1

Certificates

Certification	ATEX, 5 year warranty, Ex Zone 1, IECEx	
Marine Approved	True	
Ignition Class	T5 100°	
Atex code	II 2GD	
Class Ex Gas	Ex eb mb op is IIC T5 Gb	
Class Ex Dust	Ex tb op is IIIC T	
Max surface temp Dust	100	

Technical Data

Minimum ambient temperature (°C)	-40
Maximum ambient temperature (°C)	55
IK classification	10
IP classification	66/67

Light Technical Data

Light source	LED
Lumen out (lm)	2076
Number of lamps	1
Lumen per Watt (lm/W)	90
Lamp colour temp (K)	5000
CRI Colour rendering index	80
MacAdam step	3
Light source included	True

Driver / Ballast

Type of LED Driver	IC
Number of Driver	2

Lifetime

L70 Median useful life LED Ta45 (hr)	100 000
--------------------------------------	---------

Electrical Data

Minimum Voltage -10% (VAC)	230
Minimum frequency -5% (Hz)	50
Maximum frequency +5% (Hz)	60
Total consumption (W)	23
Number of luminaires on a 10A MCB type B (80% load)	78
Number of luminaires on a 10A MCB type C (80% load)	78
Number of luminaires on a 16A MCB type B (80% load)	124
Number of luminaires on a 16A MCB type C (80% load)	124

Optic

Optic	OP/PC - Opal diffuser in polycarbonate
Material of diffuser	Polycarbonate

Housing

Main body material	Seawater-resistant aluminium
Body colour	Grey
Main body colour name	Silver grey
End cap material	Polycarbonate
End Cap colour	Black
Mounting bracket material	Stainless steel
Mounting bracket colour	Black
Material Junction Box	Polycarbonate
Colour junction box	Black

Dimensions

Length (mm)	718
Width (mm)	174
Height (mm)	75
Net weight (kg)	4.14
CC max	844

Termination

Maximum core diameter	6 mm2
Minimum core diameter	0.5 mm2

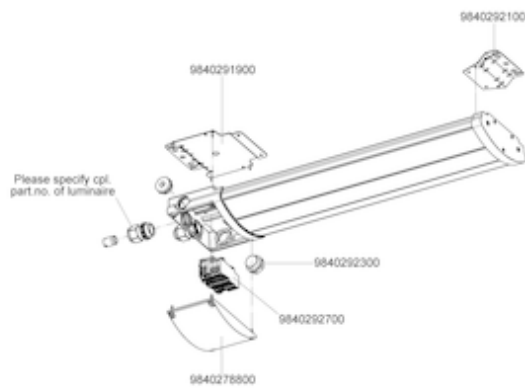
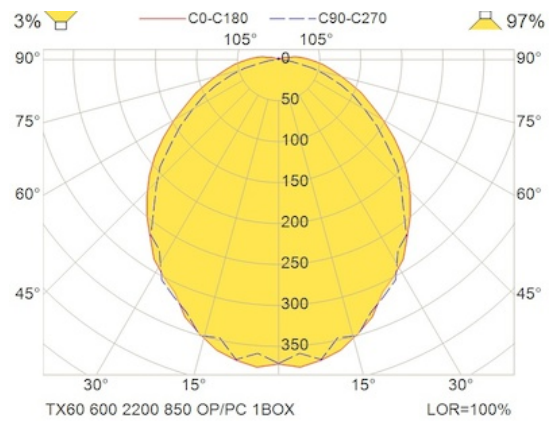
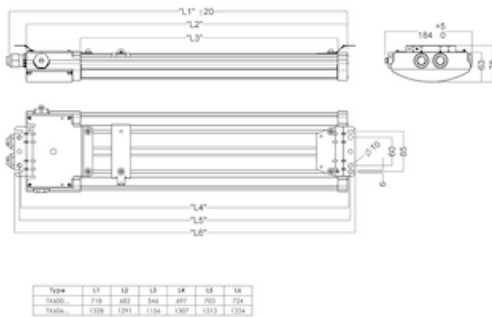
Cable Inlet

Number of cable glands	2
Number of blind plugs	2
Max cable diameter (mm)	17
Min cable diameter (mm)	7

Logistic Data

Net weight (kg)	4.14
Min storage temp	-50
Max storage temp	80

Illustrations



Images

