

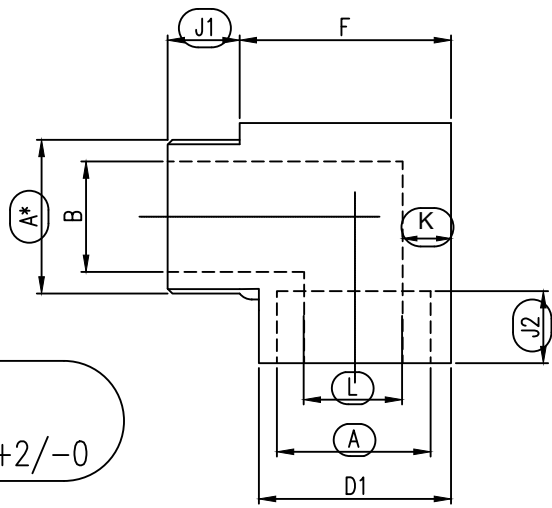
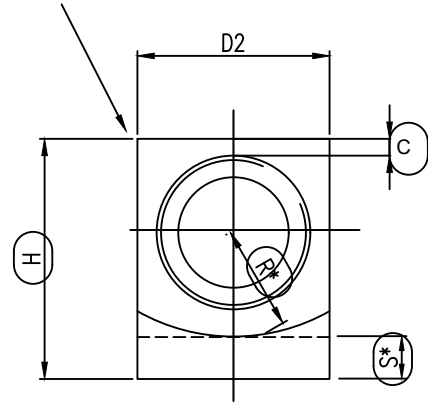
REMOVE ALL SHARP EDGES DO NOT SCALE IF IN DOUBT ASK

A	B	C	D	F	H ^{+0.3} ₋₁	J	K MIN	R	L ^{+0.0} _{-0.3}	S
M16X1.5	11.0	3.0	23	27	33.0	16.0	5.1	17.0	12.5	*
M20X1.5	14.0	3.0	25.4	29	39.0	16.0	3.7	19.5	17.5	*
M25X1.5	18.0	3.0	32	35	46.0	16.0	4.4	23.0	22.5	*
M32X1.5	24.0	3.0	40	44	51.0	16.0	4.7	29.0	29.5	*
M40X1.5	32.0	3.0	48	52	61.0	16.0	4.7	34.5	37.5	*
M50X1.5	41.0	3.0	62	65	73.0	16.0	6.6	*	48.0	12.0
M63X1.5	53.0	3.0	73	77	86.0	16.0	6.6	*	59.0	12.0
M75X1.5	65.0	3.0	87	94	99.0	16.0	6.6	*	71.0	12.0

A NPT	B	C	D	F	H ^{+0.3} ₋₁	J	K MIN	R	L ^{+0.0} _{-0.3}
3/8"	10	3.0	23	27	32.5	15.5	5.1	16.5	12.5
1/2"	14	3.0	25.4	29	43	20	3.7	19.0	17.5
3/4"	18	3.0	32	35	50	20	4.4	23.0	22.5
1"	24	3.0	40	44	60	25	4.7	28.5	29.0
1.1/4"	32	3.0	48	51	70	25	4.7	34.0	38.0
1.1/2"	38	3.0	60	65	82	25	6.6	43.0	44.0
2"	49	3.0	73	77	95	25	6.6	52.0	56.0
2.1/2"	60	3.0	87	94	118	35	6.6	62.0	67.0

* IF "R" IS NON APPLICABLE - USE "S"

This face to be flat, clean, and to have uniform finish suitable for laser marking



METRIC THREADS
Male to Gauge to 6g
Female to Gauge to 6H

NPT THREADS
Male to Gauge to L1±1
Female to Gauge to L1+2/-0

CARE POINTS
Chamfer all threads QOPL0024
All threads must gauge QOPL0025
No bruising on the threads QOPL0018
Must be clean QOPL0026

CERTIFIED PRODUCT RELATED DRAWING
NO MODIFICATION PERMITTED WITHOUT APPROVAL.
ALL DIMENSIONS ARE IN ACCORDANCE WITH THE CERTIFIED SCHEDULED DRAWING AS DEFINED BY THE DECLARATION OF CONFORMITY

ISSUE	DATE	REVISION
1	19/11/2020	New Release. DH

SERIES No. AR Series

THIS DRAWING IS THE PROPERTY OF EATON LTD. AND MUST NOT BE COMMUNICATED, COPIED OR LOANED TO ANY OTHER THIRD PARTY WITHOUT PERMISSION

THREAD OPTIONS
METRIC TO ISO PT 173
PG TO DIN40430 (1971)
BSPP TO BS2779
BSPT TO BS21
ET (BRITISH CONDUIT) TO BS31
NPT TO ANSI/ASME B1.20.1 (1983)
NPS TO ANSI/ASME B1.20.1 (1983)

AND ANY THREAD FORM CONFORMING TO TABLE 3 OF IEC 60079-1 AND CLAUSES C.2.2 & C.2.3.1 AS APPLICABLE

SCALE
ALL DIMENSIONS ARE IN MILLIMETER UNLESS SHOWN OTHERWISE

TOLERANCE TOLERANCE - DOES NOT APPLY TO REF

GEN ±0.3 ANG ±1°

TITLE 90° ADAPTOR/REDUCER

DRAWN BY D.Hier

APPROVED J.Aston DATE 19/11/2020

THIRD ANGLE PROJECTION

EATON

EX INNOVATIONS T/A RAXTON, UNIT 1, KINGWAY SOUTH, ALDRIDGE, WALSALL, WEST MIDLANDS, WS9 8FS

Drg. No. AR 90° ADAPTOR(MTRC&NPT)R01

ISSUE 1