

# Quick install guide

## X10 AC

### 115V/230V AC



LOCATION



SETTINGS TABLE



**CAUTION!**  
ISOLATE POWER

Only qualified personnel may install, configure or repair this product.

Figure 1

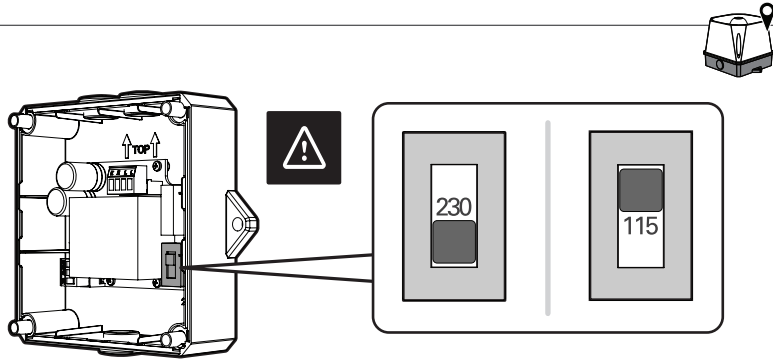


Figure 2

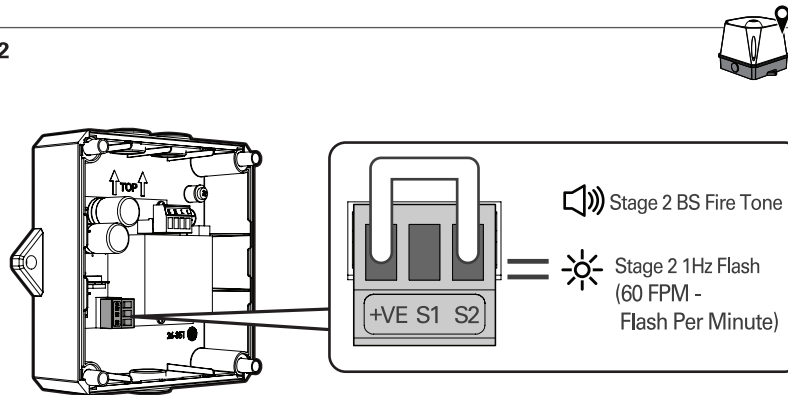


Figure 3

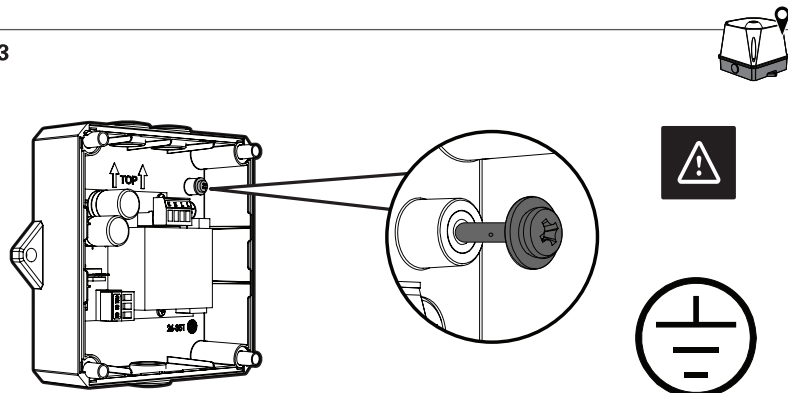


Figure 4

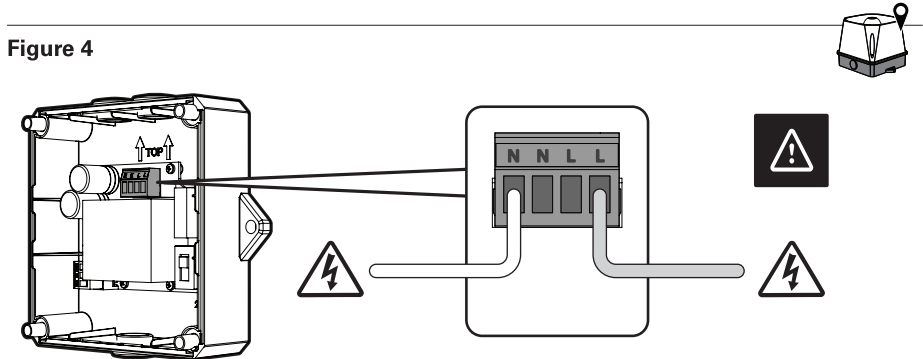
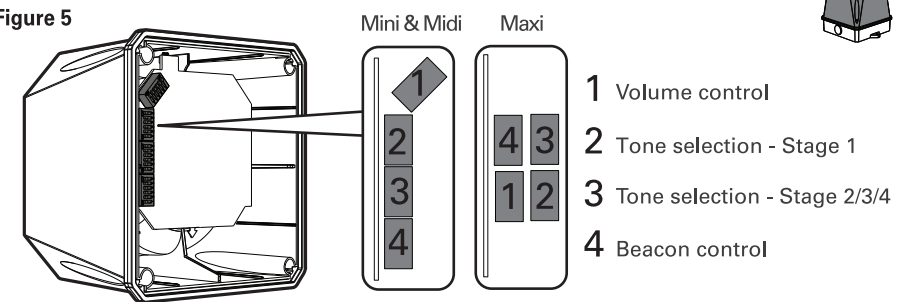
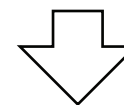


Figure 5



Factory Default Setting

	1	2	3	4
DUR3				
DUR2				
DUR1				
MODE				
SYNC				
VOL				
ON				
1				
2				
3				
4				
5				
6				
Advanced Settings				
Max Volume				
Standard Mode 3 Stage				
Immediate Start				
Time out Disabled				
TONE STAGE 1				
ON				
1				
2				
3				
4				
5				
6				
Stage 1 Tone				
BS Fire Tone				
TONE STAGE 2, 3, 4				
ON				
1				
2				
3				
4				
5				
6				
Stage 2 BS Fire Tone				
Stage 3 PFEER Toxic Gas				
BCN ST 1/2/3-4				
ON				
1				
2				
3				
4				
5				
6				
Beacon Pattern				
Stage 1 Off				
Stage 2 1Hz Flash (60 FPM - Flash per Minute)				
Stage 3 Off				



Powering Business Worldwide

# Quick install guide

## X10 AC

### 115V/230V AC



LOCATION



SETTINGS TABLE



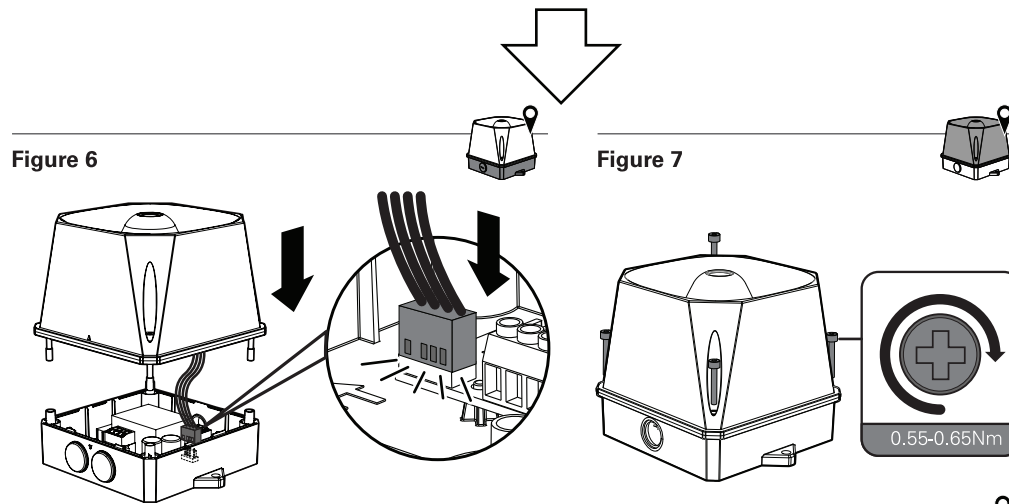
#### CAUTION!

ISOLATE POWER

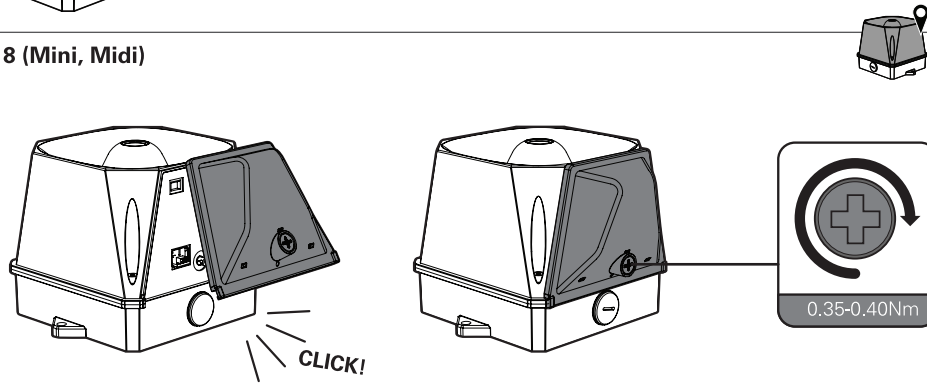
Only qualified personnel may install, configure or repair this product.



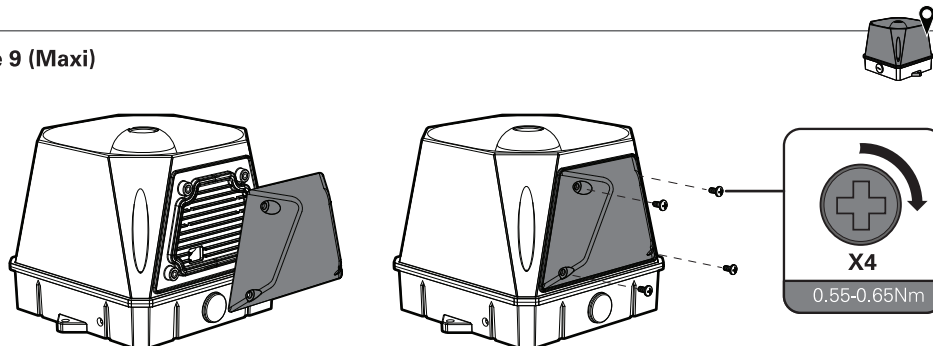
Powering Business Worldwide



**Figure 8 (Mini, Midi)**



**Figure 9 (Maxi)**



### Default settings

<b>SDR TONE</b>	Stage 1 BS Fire Tone Stage 2 BS Fire Tone Stage 3 PFEER Toxic Gas
<b>BEACON</b>	Stage 1 Off Stage 2 1Hz Flash (60FPM - Flash Per Minute) Stage 3 Off
<b>SPL</b>	Max

### Manual:

For more information on how to further adjust and setup the Eaton X10 please refer to the manual:

[www.eaton.com/manuals/x10](http://www.eaton.com/manuals/x10)

### Contact:

Technical support

Tel: +44(0)1633 628500

Email: [FireCustomerService@eaton.com](mailto:FireCustomerService@eaton.com)

### Eaton Electrical Products

Llantarnam Park,  
Cwmbran  
NP44 3AW,  
United Kingdom

© 2019 Eaton  
All Rights Reserved

Eaton is a registered trademark.  
All other trademarks are property of their respective owners.